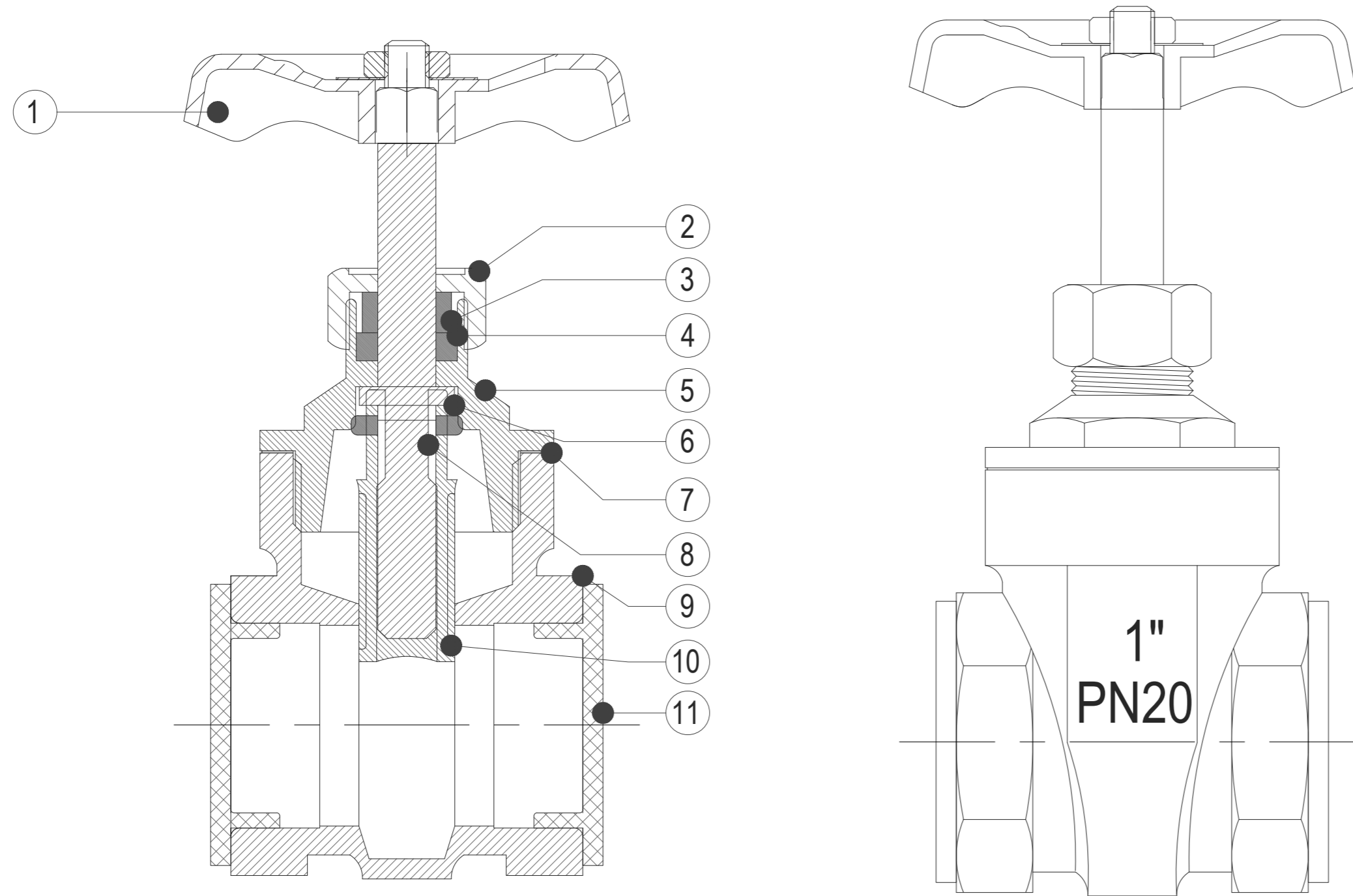


GATE VALVES  
NFGV-25



NOTES :-

1. ALL DIMENSIONS ARE IN mm. UNLESS OTHERWISE SPECIFIED

BILL OF MATERIALS

ITEM NO.	DESCRIPTION	MATERIAL
1	HAND WHEEL	STEEL,RED PAINTED
2	GLAND	CZ121
3	BASS BUSH	CZ121
4	GLAND SEAL	NYLON
5	BONNET	CZ121
6	CAP	CZ121
7	BONNET SEALING	NYLON
8	STEM	CZ121
9	VALVE BODY	CZ121
10	WEDGE	CZ121
11	SHEATH	PVC

SPECIFICATIONS

MODEL	NFGV-25
SEAT TEST	22 BAR FOR 10 MIN.
BODY TEST	30 BAR FOR 10 MIN.
STRENGTH TEST	50 BAR FOR 30 SEC.
SIZE	1"